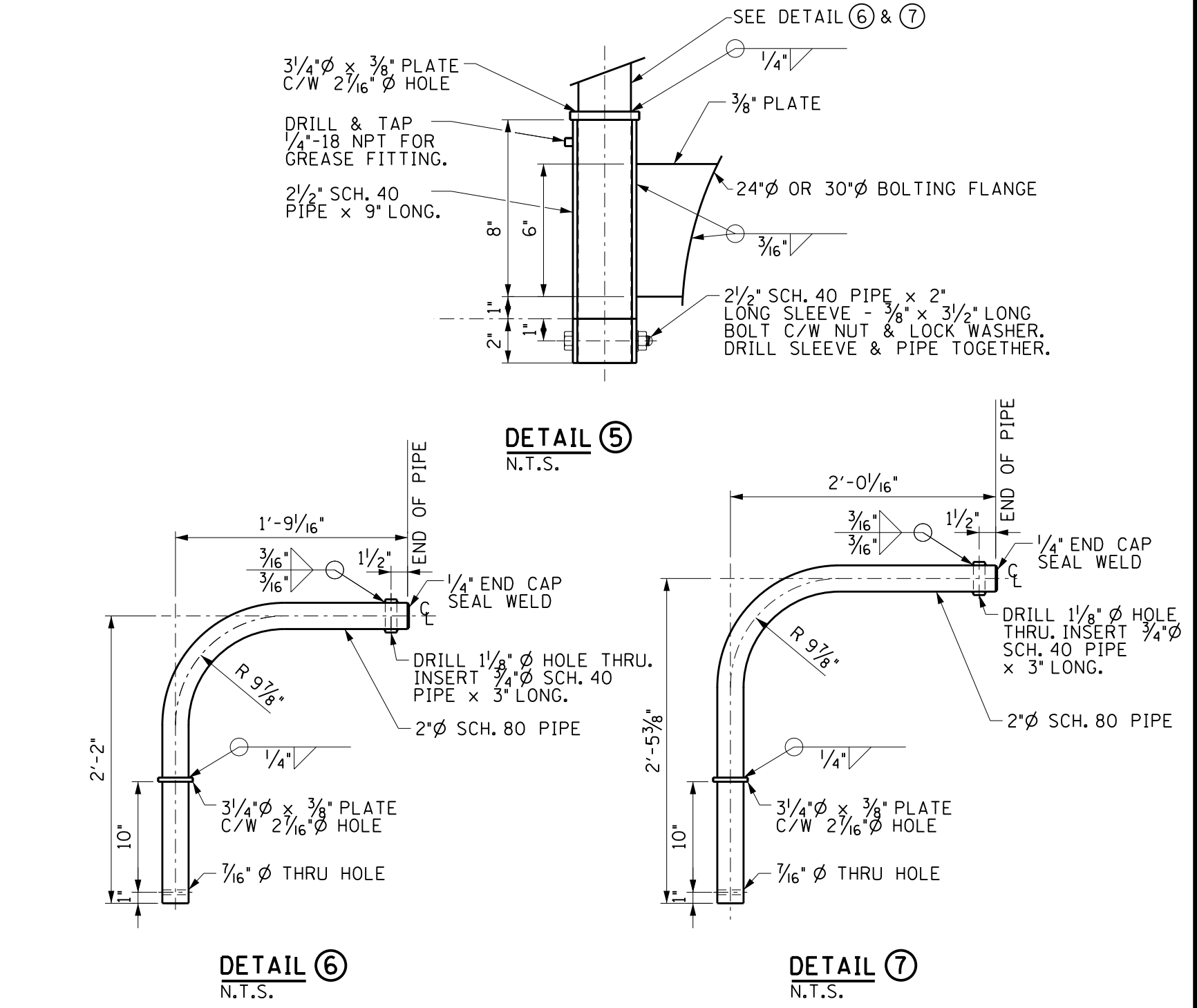
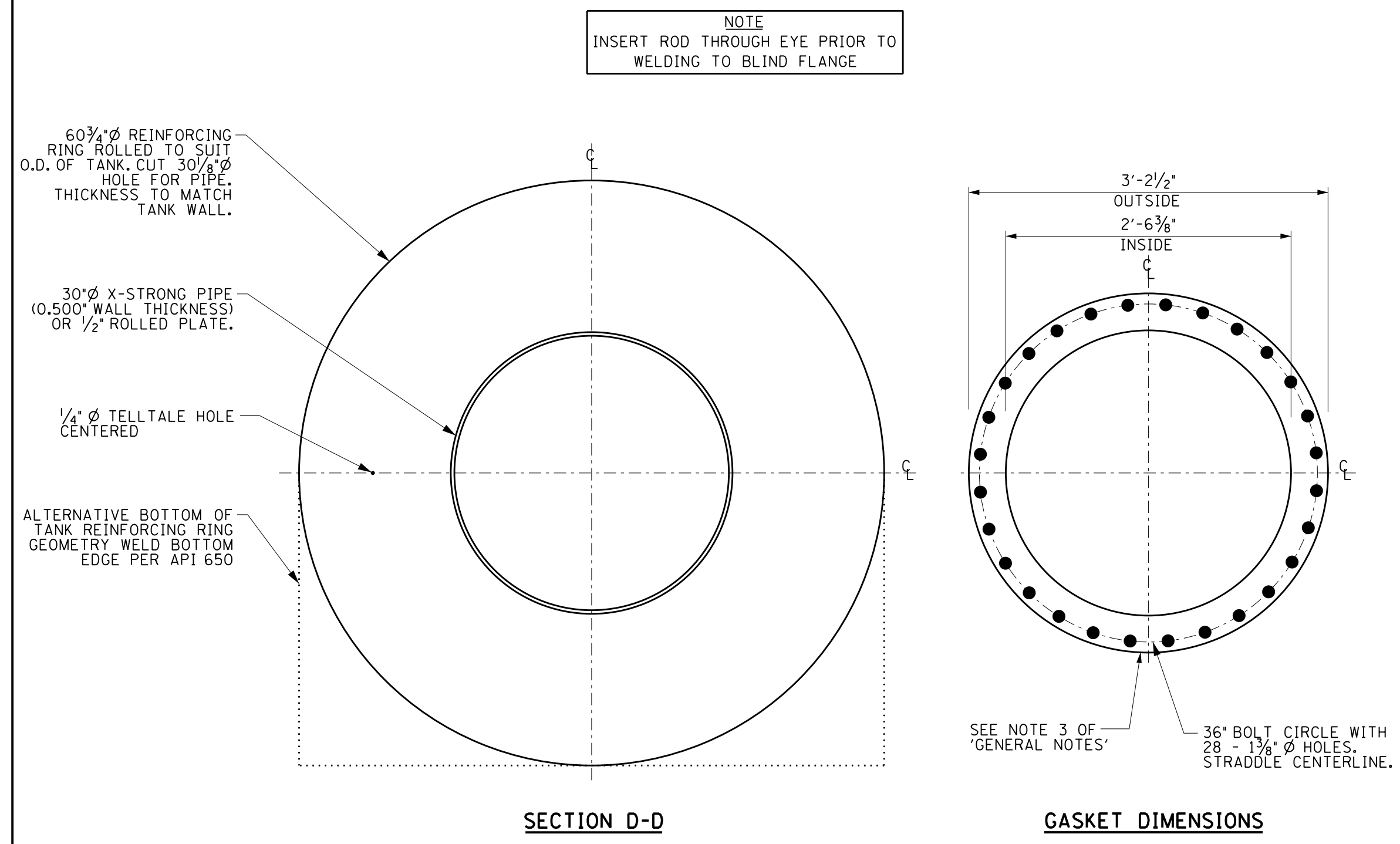
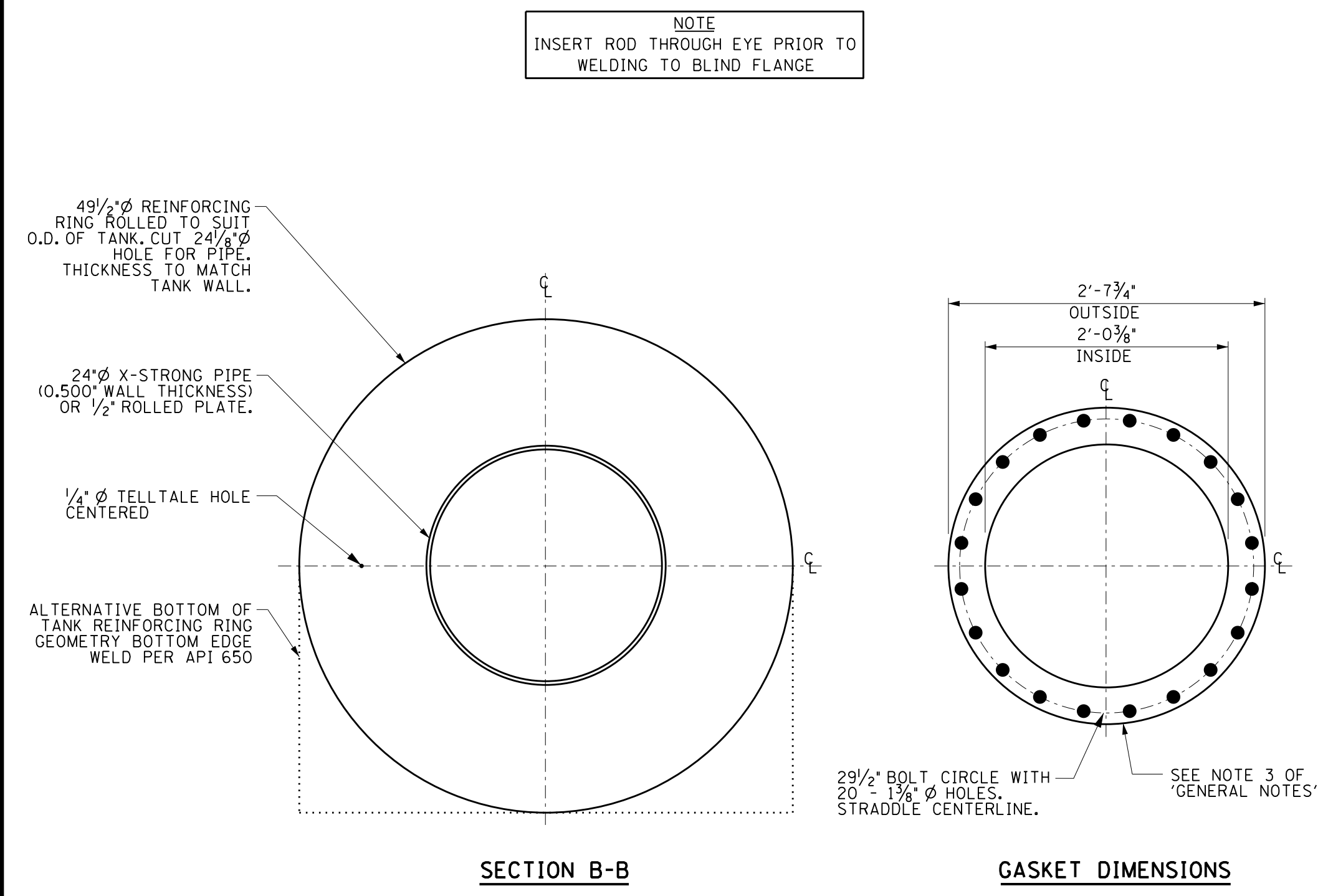
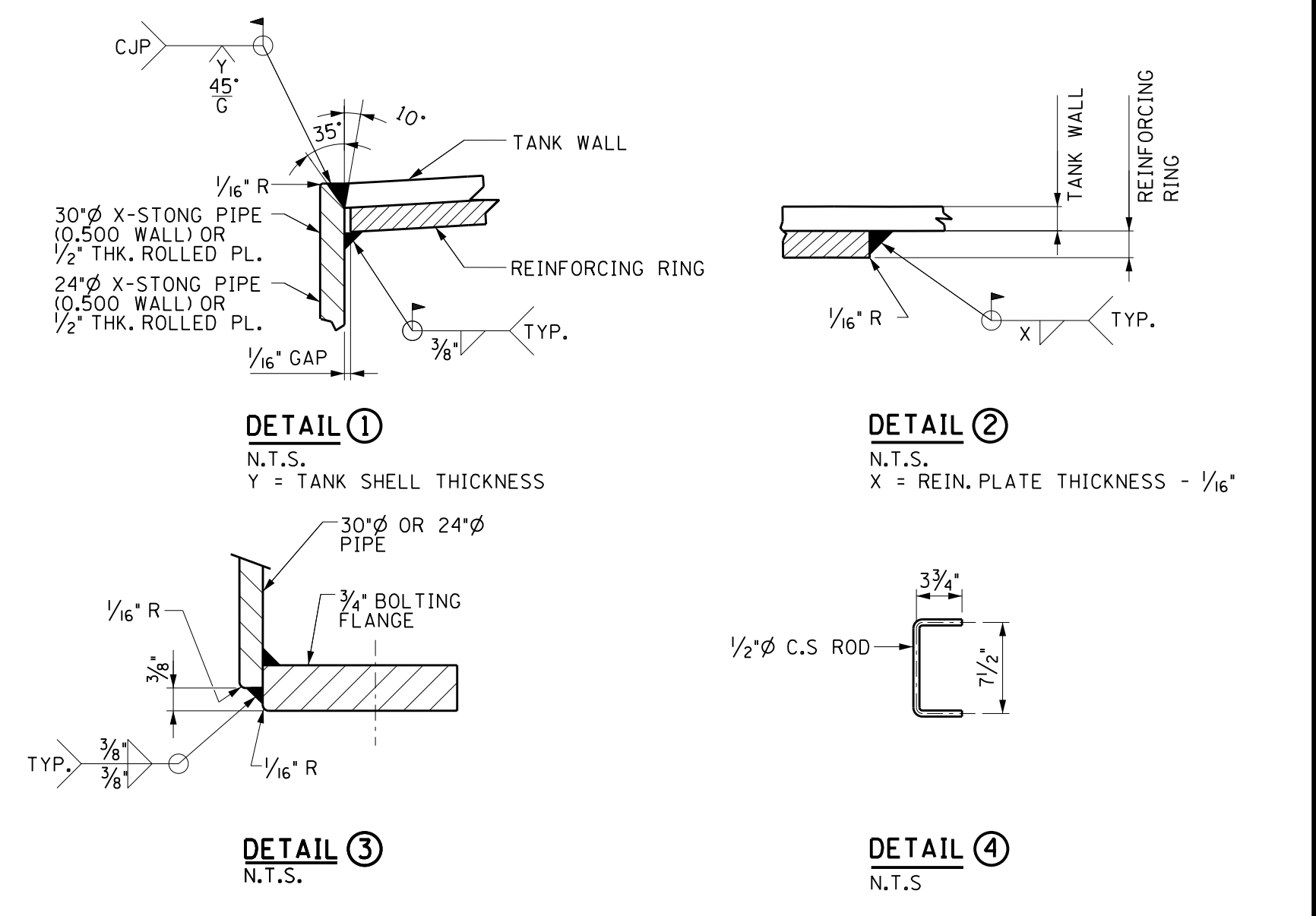
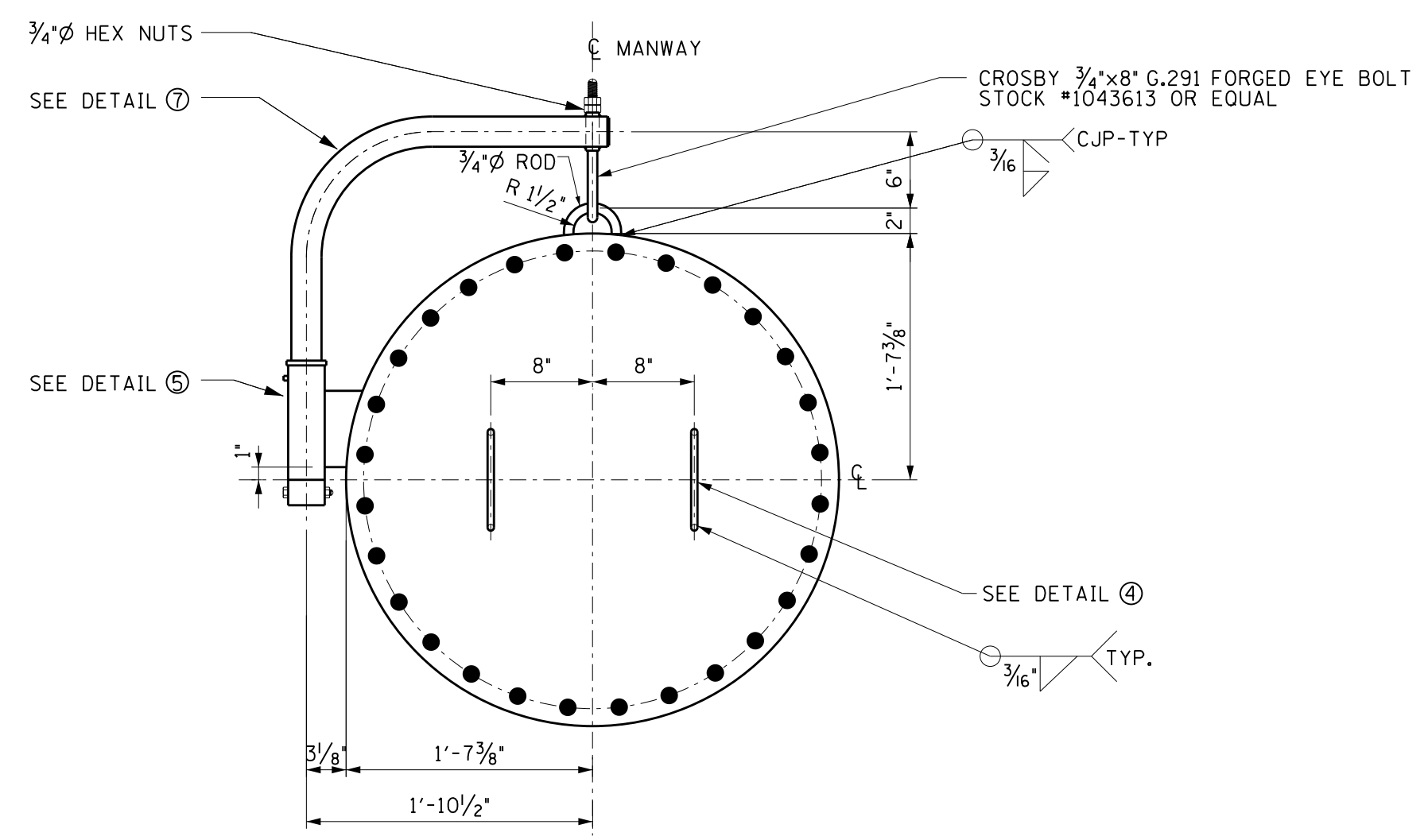
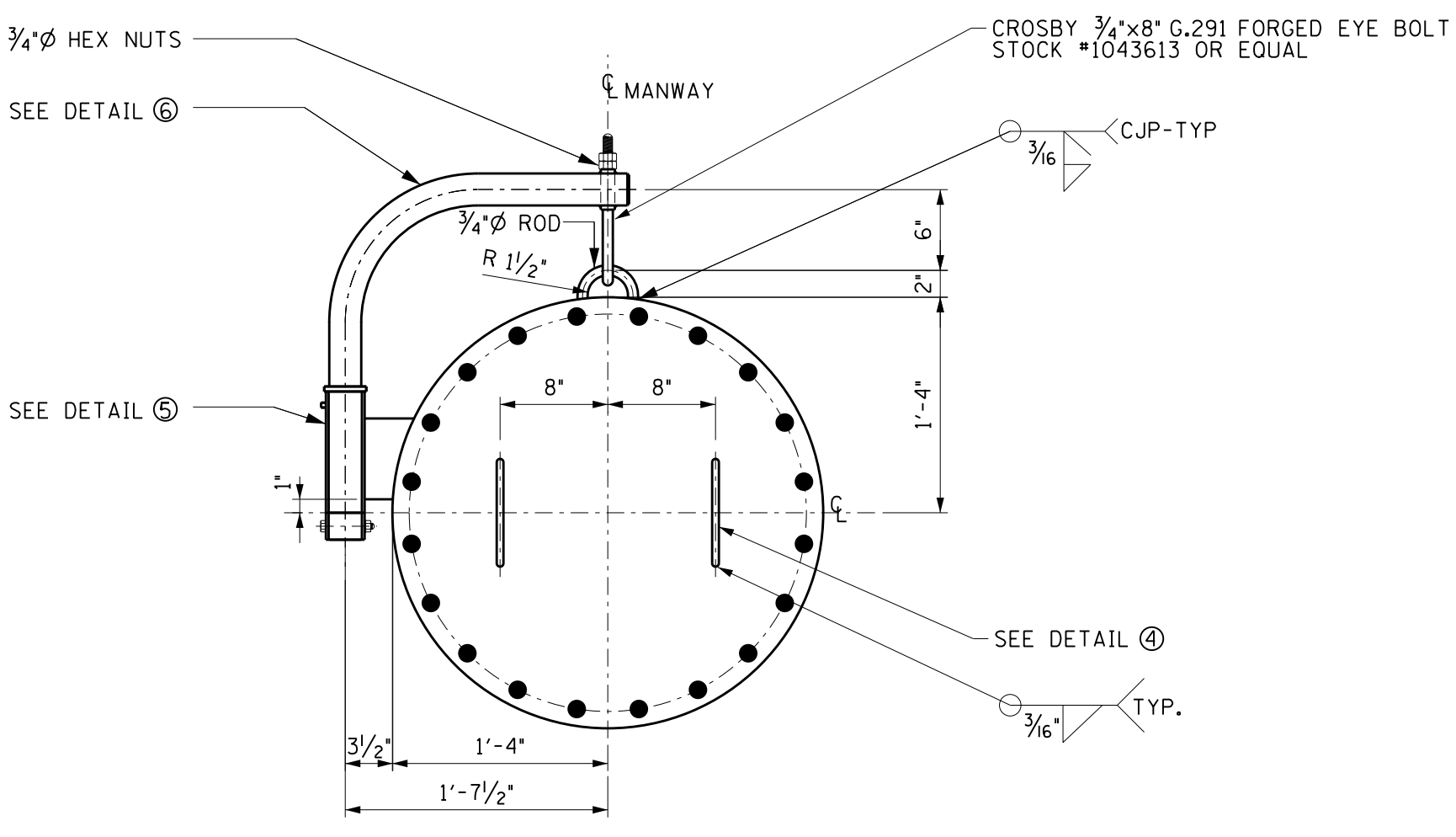


- GENERAL NOTES:**
- MANWAYS ARE NOT SUITABLE FOR INSTALLATION ON PRESSURE VESSELS.
 - MANWAYS ARE TO BE USED ON TANK SHELLS ONLY, NOT SUITABLE TO BE USED FOR TANK ROOF INSTALLATIONS.
 - GASKET MATERIAL AND THICKNESS TO BE SELECTED BY THE PLANT.
 - PROTECTIVE MEMBRANES APPLIED TO THE TANK, SHALL ALSO BE APPLIED TO THE MANWAYS (I.E. RUBBER LINING OR THE LIKE), DETAILS OF LINING BY OTHERS.
 - MANWAYS ARE NOT SUITABLE FOR SUSPENDED/HANGING TANKS, WHERE THE SHELL IS SUBJECTED TO THE WEIGHT OF THE TANK CONTENTS.
 - BREAK ALL SHARP EDGES WITH A 1/16" CHAMFER, UNLESS NOTED OTHERWISE.
 - MANWAY TO BE INSTALLED ON CARBON STEEL TANKS ONLY, NOT SUITABLE FOR STAINLESS TANKS OR OTHERWISE.
 - WELDS TO BE INSPECTED BOTH VISUALLY AND WITH SPOT RADIOGRAPHY. JOINT EFFICIENCY FACTOR OF 0.85 TO BE USED PER API 650/653.
 - MANWAY IS SUITABLE FOR WATER EQUIVALENT PRESSURE LEVELS UP TO 25 FEET.
- MATERIAL NOTES:**
- ALL STEEL PLATE TO BE PER CSA G40.21-300W.
 - ALL PIPE TO BE ASTM A53 GR. B - CARBON STEEL.
 - FLANGE BOLTS TO ASTM A307 GR. B UNC. NUTS TO ASTM A563 GR. A, CLASS 2A FIT ON BOLTS AND 2B FIT ON NUTS.
 - WELDING ESSENTIAL VARIABLES TO BE IN ACCORDANCE WITH SPEC-35003. DO NOT WELD ON RUBBER LINED TANKS.
 - PAINTING (OUTSIDE ONLY) SHALL BE HEAVY INDUSTRIAL EPOXY CONFORMING TO THE REQUIREMENTS OF VALE SPEC-15001 & SPEC-15007. COLOUR OF FINAL COAT TO BE AS DIRECTED BY THE PLANT.



24" MANWAY
SCALE: 1"=1'-0" U.N.O

30" MANWAY
SCALE: 1"=1'-0" U.N.O

DETAILS
SCALE: N.T.S.

THIS DRAWING IS PART OF VALE ENGINEERING SPEC-30001.

DWG NO.	REFERENCE DRAWINGS	REV	JOB NO.	DESCRIPTION	DATE	DRAWN BY	CHECKED DRAWING	APPROVED DESIGN	REVIEWED DESIGN
		1	0089-03	ISSUED AS PART OF STANDARD SPEC - 30001	2016-12-12	B. LAVERS	A. DELOST	B. LAVERS	B. MORRIS



PLANT	SUB PLANT	SCALE	REV. 1 PROJECT NO.
ALL PLANTS		1/2" = 1'-0"	0089-03
AREA	CLASSIFICATION	DRAWING NO.	REV.
	STANDARD DRAWING	99-999-F-004260	1
TITLE	24" AND 30" TANK SHELL MANWAYS CARBON STEEL		